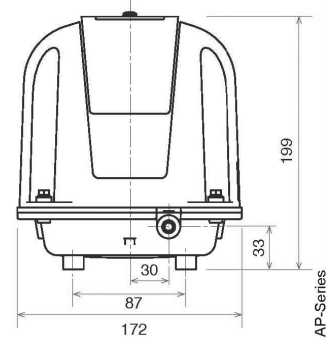
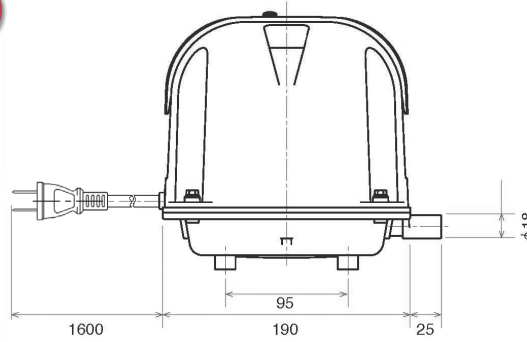


# Linear Diaphragm Pump AP-40

Flow at rated pressure

45 l/min at 120 mbar



## PNEUMATIC DATA

Description	AP-40
Part number	<b>52500453</b>
Flow at rated pressure	45 l/min
Rated pressure	120 mbar
Operating range	50 to 200 mbar

## ELECTRICAL DATA

Motor type	Linear drive
Nominal Voltage	230V 50Hz
Consumption at rated pressure	0.34 A / 29 W
Efficiency at rated pressure	0.64 W/l

## GENERAL DATA

Ambient temperature	-10 to 40 °C
Weight	4.3 kg
Outlet diameter	18 mm
Average sound level	34 dB (A)

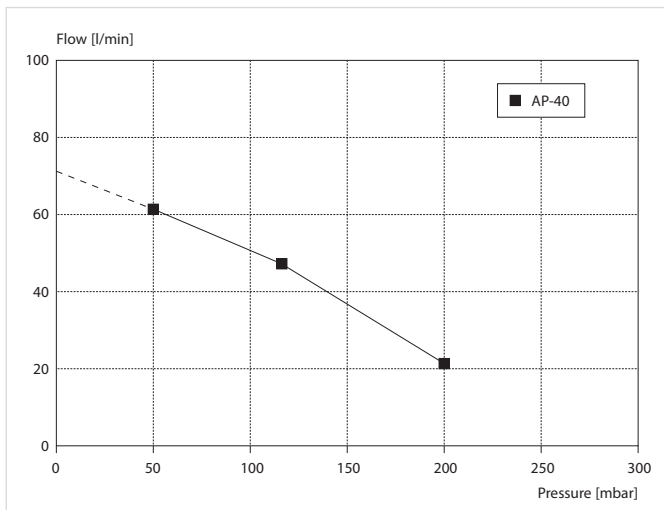
## SERVICE PARTS

Chamber block set <sup>1)</sup>	<b>700580</b>
Air filter and gasket kit	<b>700582</b>
Air filter kit	<b>700583</b>

All listed values are measured at standard atmospheric conditions.  
If 230V 60Hz is required, please consult factory.

1) Denotes that service part is only available for trained service personnel.  
Please refer to the operation manual for additional information.

## FLOW CURVES



Note: Operation outside specified operating range is not recommended.  
All listed values are measured at standard atmospheric conditions

## SERVICE PARTS

Chamber block set<sup>1)</sup> consists of:  
 2 x Pump head with valves  
 2 x Diaphragm assembly  
 2 x Diaphragm gasket  
 2 x Nut  
 2 x Washer

Air filter and gasket kit consists of:  
 1 x Air cleaner element  
 1 x Air cleaner gasket  
 1 x Cover plate gasket  
 1 x Noise absorbing net  
 1 x Tank gasket

Air filter kit consists of:  
 5 x Air cleaner element  
 5 x Air cleaner gasket

## SUPPLIED AS STANDARD

Cable/Euro-plug  
 Air connector consists of (part number 700073)  
 1 x Outlet hose, angled, 170/50 mm  
 2 x Hose clamp

**5250...** Stock programme